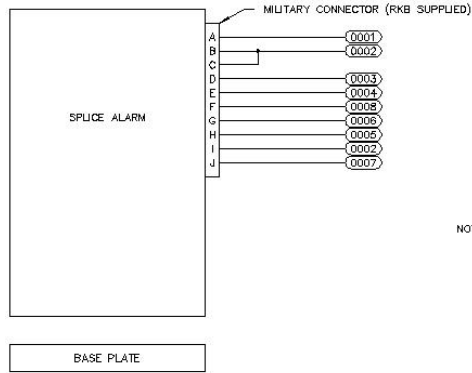
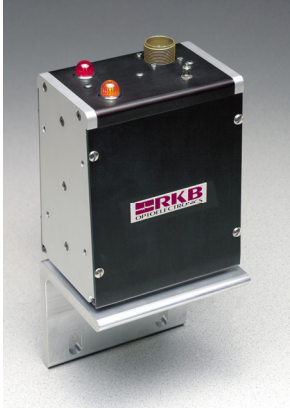


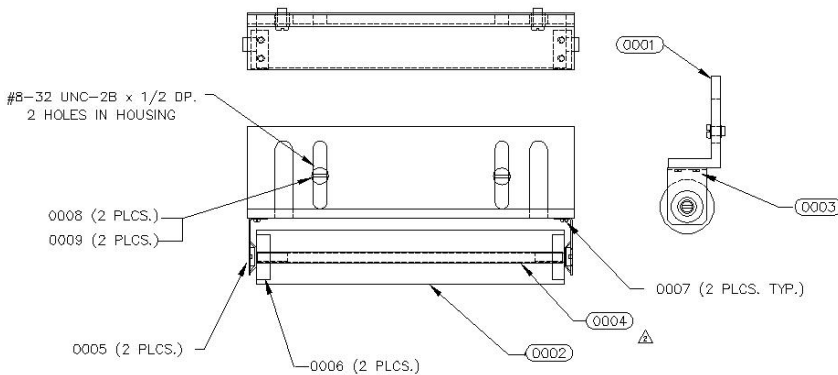
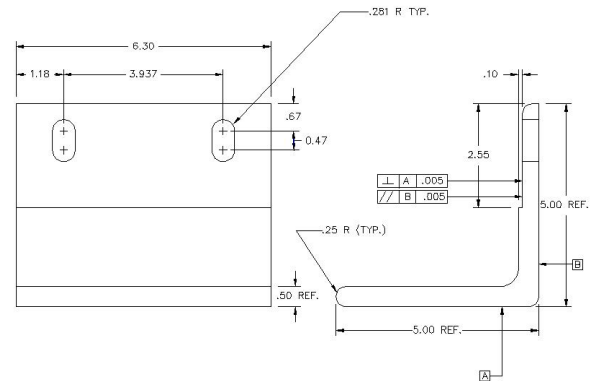
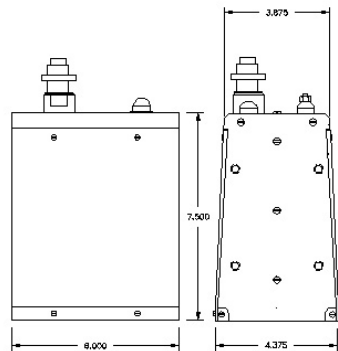
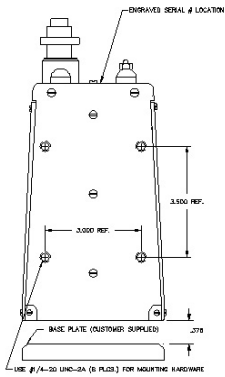
Equipment Pictorial Model SJT1032B



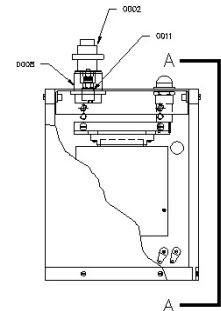
WIRE DATA		
ITEM	DESCRIPTION	WIRE SPECIFICATION
0001	PULSE OUT (+15 VDC)	18 AWG SHIELDED
0002	EARTH GROUND	18 AWG
0003	115 VAC NEUTRAL	18 AWG SHIELDED
0004	220/115 VAC HOT	18 AWG SHIELDED
0005	220 VAC HOT	18 AWG SHIELDED
0006	CONTACT CLOSURE COMMON	18 AWG SHIELDED
0007	CONTACT CLOSURE-NORMALLY OPEN	18 AWG SHIELDED
0008	CONTACT CLOSURE-NORMALLY CLOSED	18 AWG SHIELDED
GROUND Braid - MAY BE REQUIRED BETWEEN SENSOR and BASE PLATE		TINNED, COPPER, TUBULAR BRAID, .25 IN. I.D., 13 AWG

NOTES:

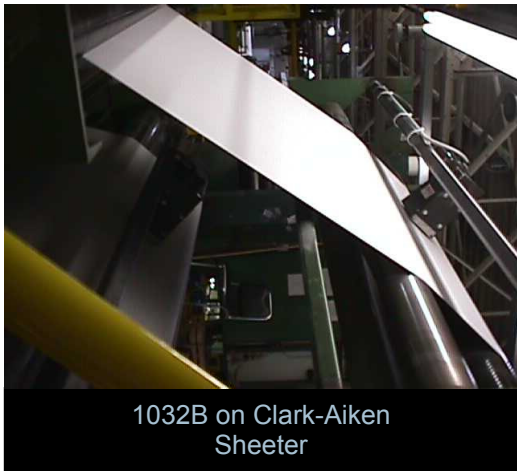
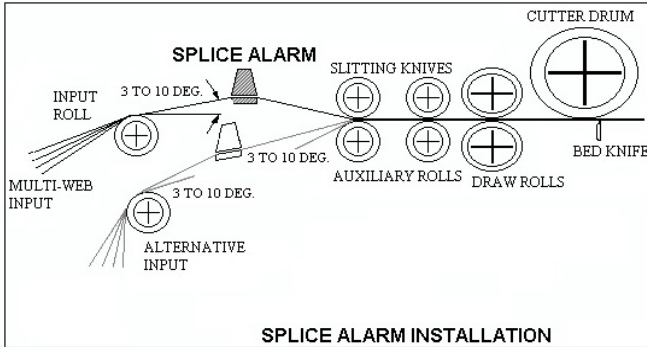
- ALL WIRE SPECIFIED IN TABLE IS SINGLE QUANTITY.
- RUN WIRE NUMBERS 0003, 0004, 0005, IN SEPARATE CONDUIT OR WIRE TRAY FROM NUMBERS 0001, 0002, 0006, 0007, 0008.
- POWER TO SPLICE DETECTOR (110/220 VAC) MUST BE CONDITIONED. (SOLA 83-23-150-B, 110 VAC, 500 VA, 60HZ ONLY RECOMMENDED.) (SOLA 83-23-650-B, 220 VAC, 500 VA, 60HZ ONLY RECOMMENDED.)

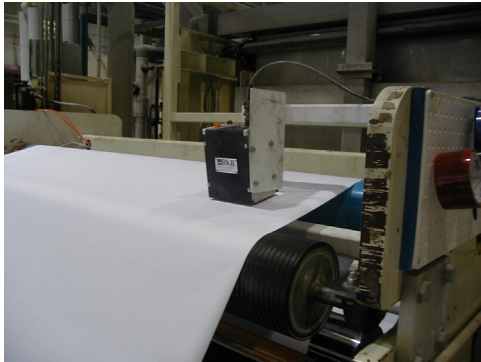


NOTE: ITEM NUMBERS REFERENCED ON SPARES LIST.

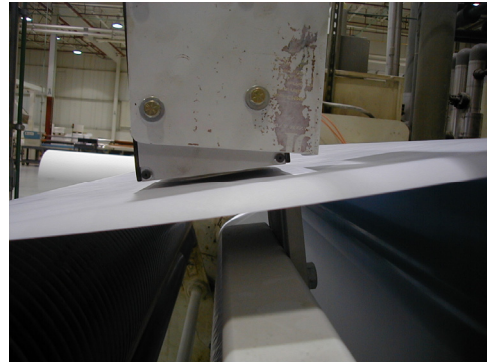


SPLICE DETECTOR ASSEMBLY MODEL 1032-B





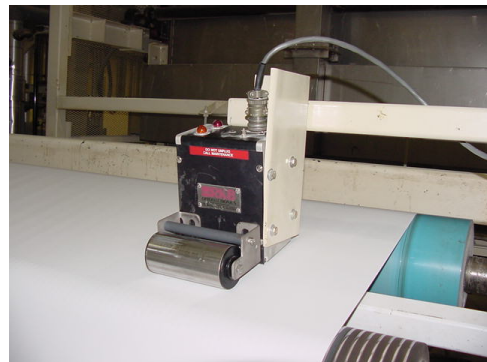
1032B on Silicone Coater



1032B on OMC



1032B on Maxson Sheeter



1032B on Coater



1032B on Voith Janus Coater



1032B on Coater in Poland