

**MODEL 1032™**

**TECHNICAL SPECIFICATIONS**

<b>Defects Types Detected:</b>	Splices Tearouts Web Breaks
<b>Material Compatibility:</b>	Papers Plastics Films Other Non-metallic Materials
<b>Web Thickness:</b>	0.175" (4.45 mm) Max.
<b>Gap Width:</b>	0.20" (5.08 mm)
<b>Maximum Web Speed:</b>	10,000 fpm (3,048 m/min)
<b>Relay Alarm Outputs:</b> Dry Output Contact Closures: Current Capacity at 110 VAC: Current Capacity at 220 VAC: Alarm On Period:	2 (Non-inductive) 0.1 Amp 0.05 Amp 1 Second
<b>Electronic Alarm Output:</b> Pulse Outputs: Voltage: Direction: Duration:	1 15 V (± 3 V) Positive Going 10 ms
<b>Ambient Temperature:</b>	40 to 160° F (4 to 70° C)
<b>Dimensions:</b>	4.5" X 4.5" X 12.0" (11.43 cm X 11.43 cm x 30.48 cm)
<b>Power:</b>	110/220/240 VAC 50/60 Hz Single Phase
<b>Weight:</b>	10 lbs/ 4.53 kilogram

**Reduce Costs and Downtime**

Reduce downtime while preventing costly repairs to rolls, dies, and sensitive production equipment used in web manufacturing processes with our state of the art; edge mount splice and tearout detection technology. Based on our patented dielectric processing technology, the SST1032 reveals abrupt changes in web material thickness due to splices, tearouts, and web breaks in high speed paper, coating and conversion processes.

**Ensure Product Quality**

Our splice detection technology is applied too ensure delivered product quality on many different grades of material such as coated (i.e., silicone, release, adhesive, matt, gloss, extrusion) papers, films, foils, rotogravure, flexographic, holographic, non-wovens, textiles, tapes and specialty and writing papers.

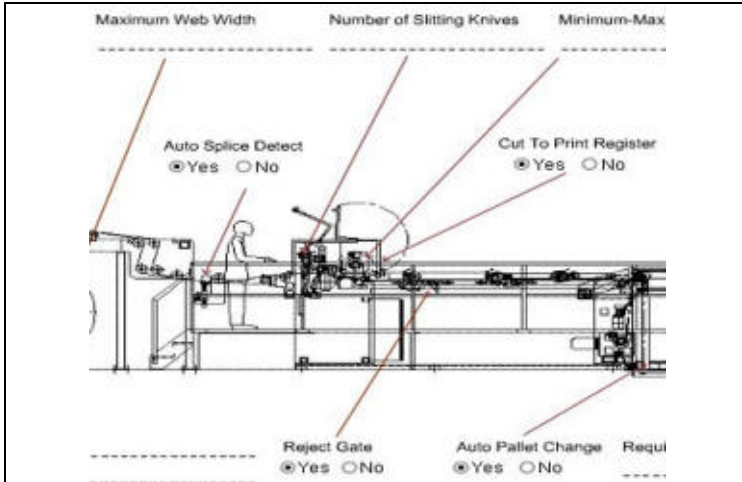
**Minimize Operator Intervention**

Both a signal contact closure and a digital signal pulse output are included with each unit to facilitate interfacing to control logic and/or PLC control units. Such controls include sheeter gates, coating head applicators, treaters, and audio/visual alarms. The SST1032 can also be combined with our own reject control technology and multicolor edge marking system for completely unattended operation of your production equipment.

**Respond to Changing Conditions**

The SST1032 is self calibrating and will monitor 1 to 16 webs of material simultaneously. No adjustments, settings or re-calibrations are required. Our SST1032 is unaffected by material basis weight changes, color or process speed, the unit automatically adjusts itself to new conditions. Special splice tapes or color marking are not required and the operation is unaffected by printed material.

Specifications are subject to change without notice.  
Note: If you web speed is less than 100 fpm, specialized circuitry may have to be applied. If you purchase this unit and it is found that specialized circuitry is required due to misinformation, all monies applicable will be charged, then applied as a credit for replacement of this standard unit with a specialized unit. Additional fees may be applied.

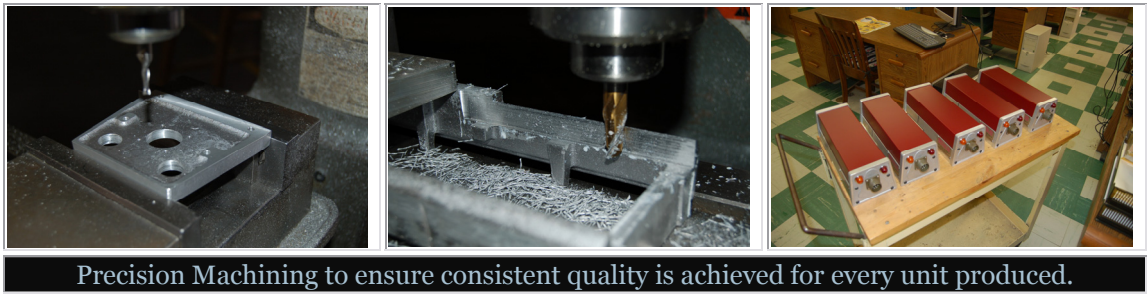


**Demand Proven Performance**

SDT Splice Detectors have been designed for stable and reliable operation under real world conditions found in various low, high and ultra high-speed papermaking, printing, and converting processes. Their performance has been proven over time in over 3000 installations in over 120 countries worldwide.

**Call SDT**

Call us to discuss your splice detection applications and to learn more about the industries most diverse line of machine vision web inspection related products.



**Splice Detector Technologies**

A partner unit of R.K.B. OPTO-ELECTRONICS, INC.

6677 Moore Road ■ Syracuse, New York ■ 13211 ■ United States of America  
 Tel: +001-315-455-6636 ■ Fax: +001-315-455-8216 ■ Email: sales@splicedetector.net  
 Internet: <http://www.splicedetector.net> / [www.rkbopto.com](http://www.rkbopto.com) / [www.webinspection.us](http://www.webinspection.us)