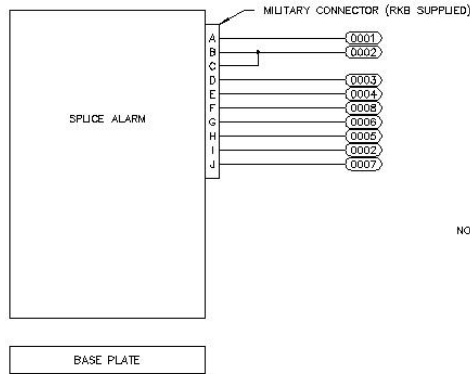


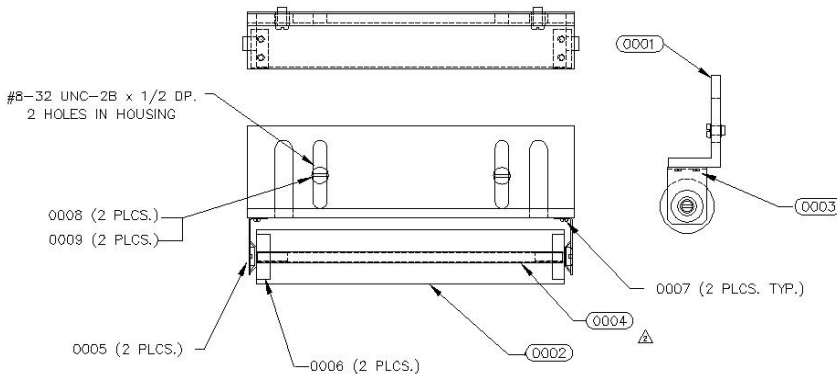
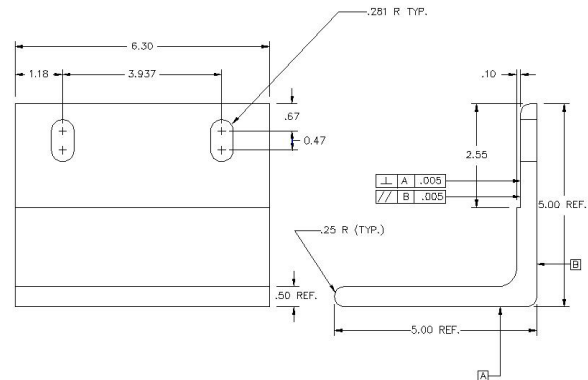
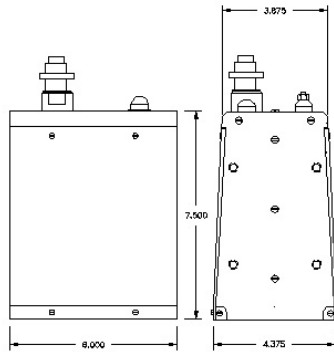
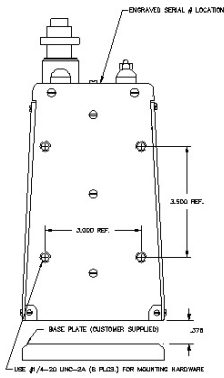
# Equipment Pictorial Model SJT1032B



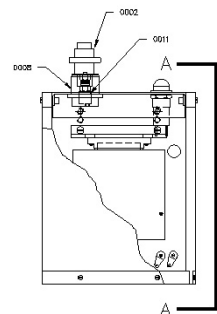
WIRE DATA		
ITEM	DESCRIPTION	WIRE SPECIFICATION
0001	PULSE OUT (+15 VDC)	18 AWG SHIELDED
0002	EARTH GROUND	18 AWG
0003	115 VAC NEUTRAL	18 AWG SHIELDED
0004	220/115 VAC HOT	18 AWG SHIELDED
0005	220 VAC HOT	18 AWG SHIELDED
0006	CONTACT CLOSURE COMMON	18 AWG SHIELDED
0007	CONTACT CLOSURE-NORMALLY OPEN	18 AWG SHIELDED
0008	CONTACT CLOSURE-NORMALLY CLOSED	18 AWG SHIELDED
GROUND BRAG - MAY BE REQUIRED BETWEEN SOLDER AND BASE PLATE.		TINNED, COPPER TUBULAR BRAID, .25 IN. I.D., 13 AWG

NOTES:

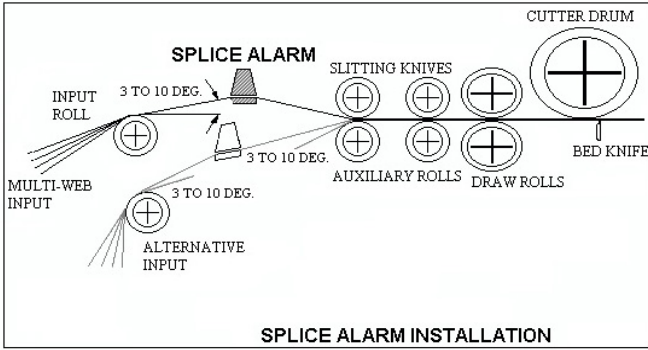
1. ALL WIRE SPECIFIED IN TABLE IS SINGLE QUANTITY.
2. RUN WIRE NUMBERS 0003, 0004, 0005, IN SEPARATE CONDUIT OR WIRE TRAY FROM NUMBERS 0001, 0002, 0006, 0007, 0008.
3. POWER TO SPLICE DETECTOR (110/220 VAC) MUST BE CONDITIONED. (SOLA 83-23-150-B, 110 VAC, 500 VA, 60Hz ONLY RECOMMENDED.) (SOLA 83-23-650-B, 220 VAC, 500 VA, 50Hz ONLY RECOMMENDED.)



NOTE: ITEM NUMBERS REFERENCED ON SPARES LIST.



SPLICE DETECTOR ASSEMBLY MODEL 1032-B



1032B on Jagenberg Sheeter



1032B on Clark-Aiken Sheeter



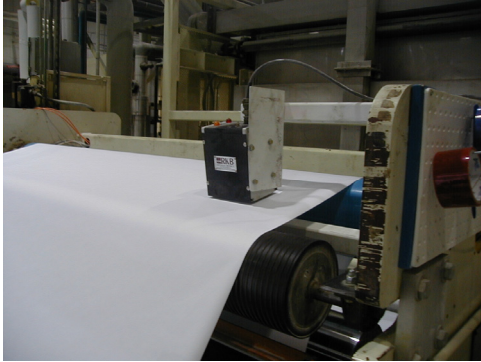
1032B on Bielomatik Sheeter



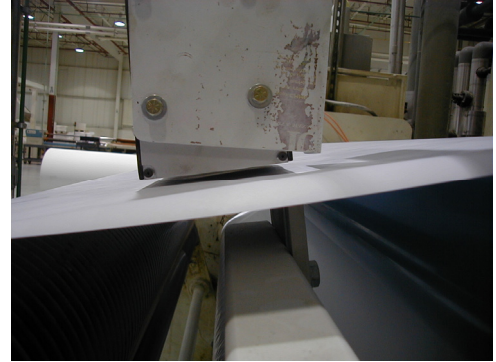
1032B on Coater/Laminator



103B2 on Marquip Sheeter



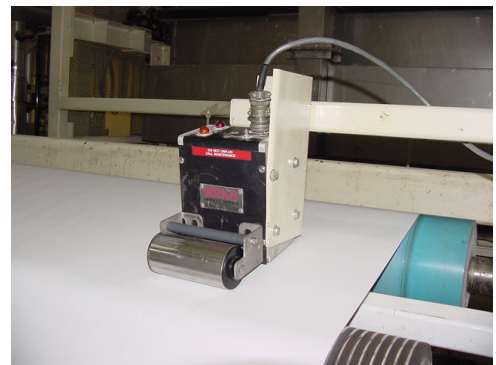
1032B on Silicone Coater



1032B on OMC



1032B on Maxson  
Sheeter



1032B on Coater



1032B on Voith Janus  
Coater



1032B on Coater in Poland