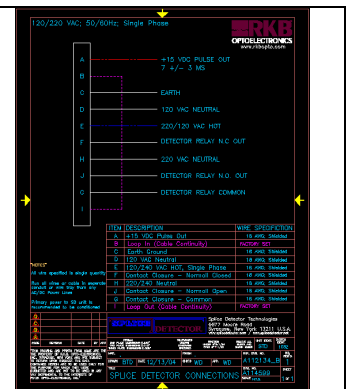
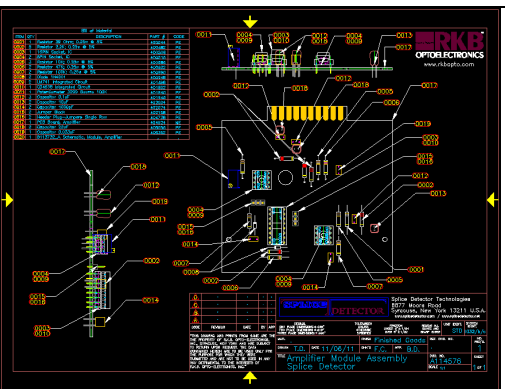
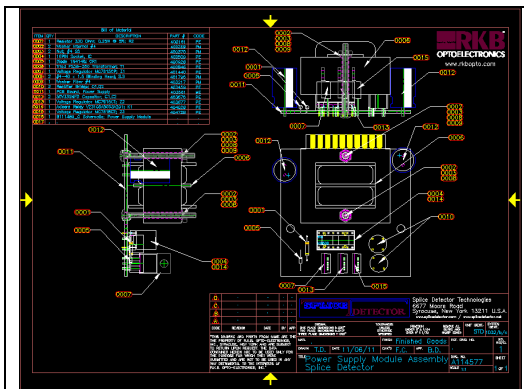
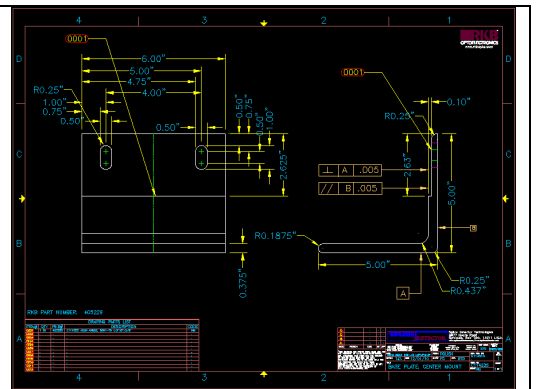
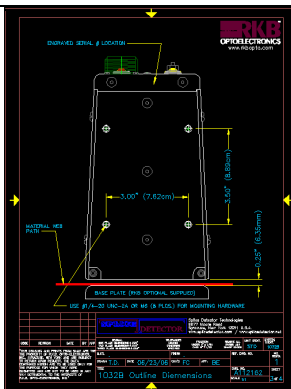
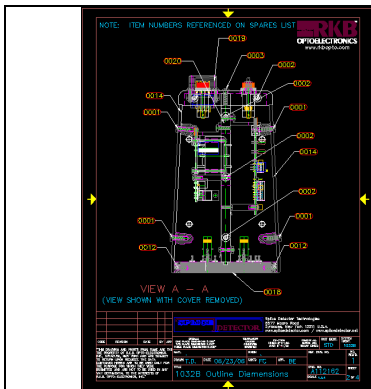
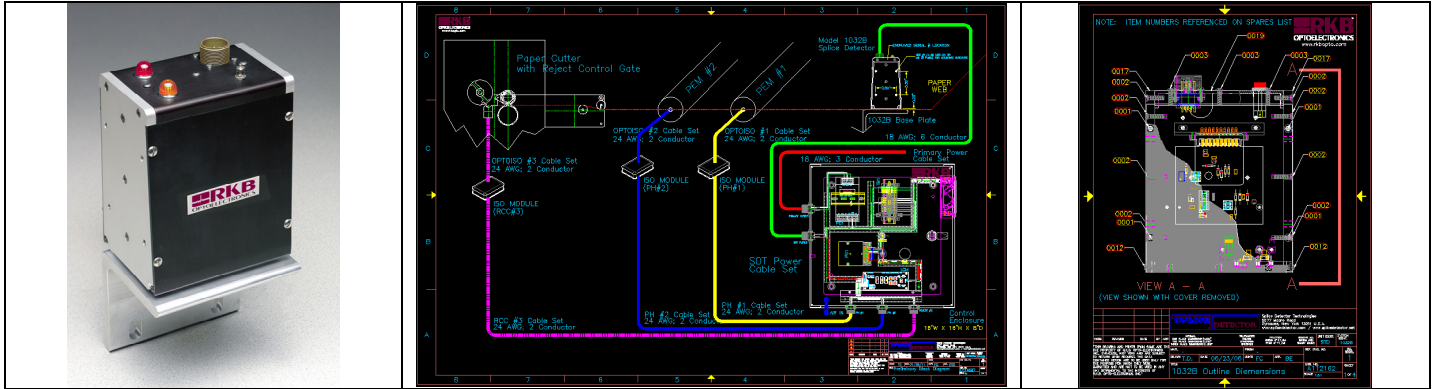


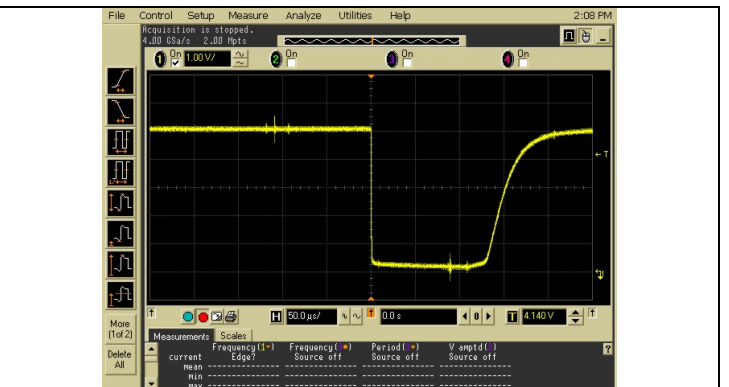
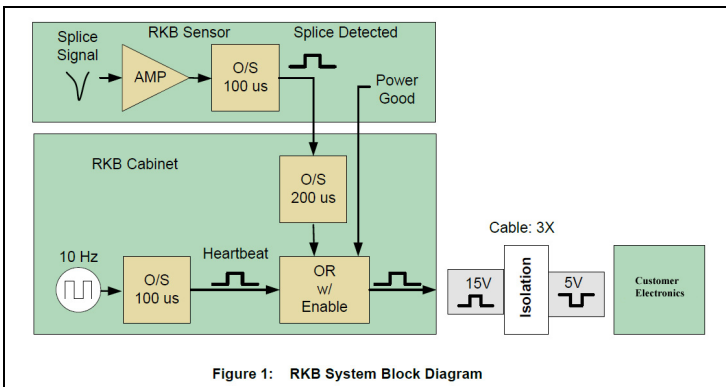
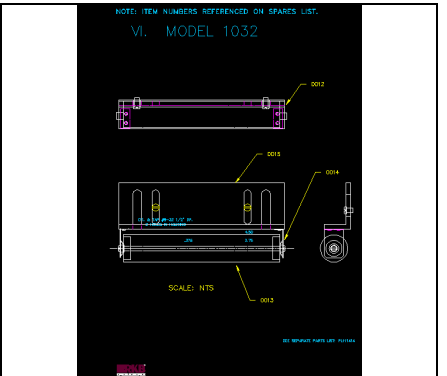
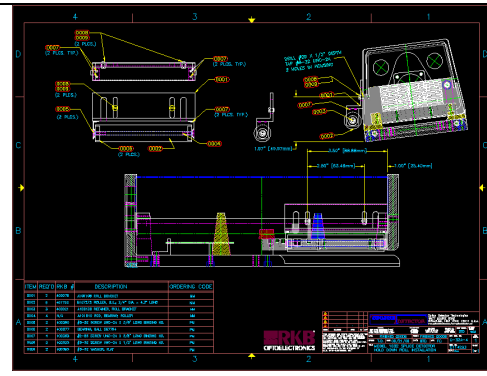
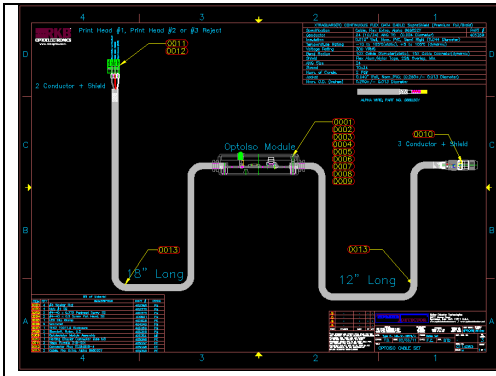
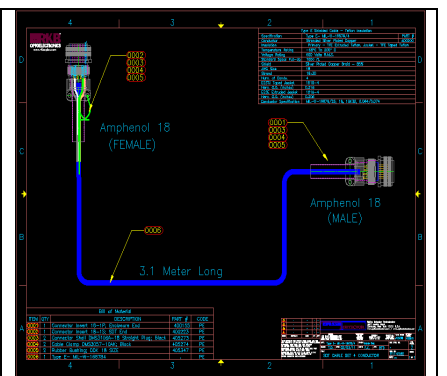
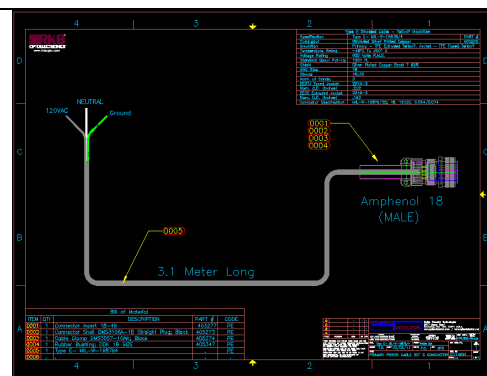
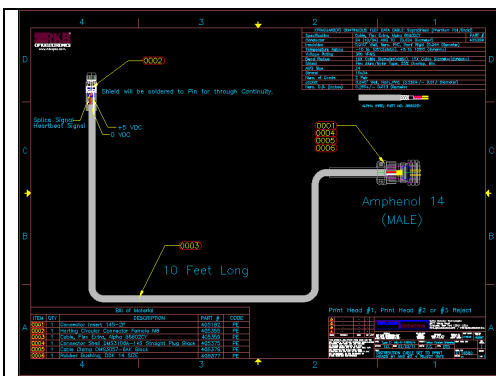
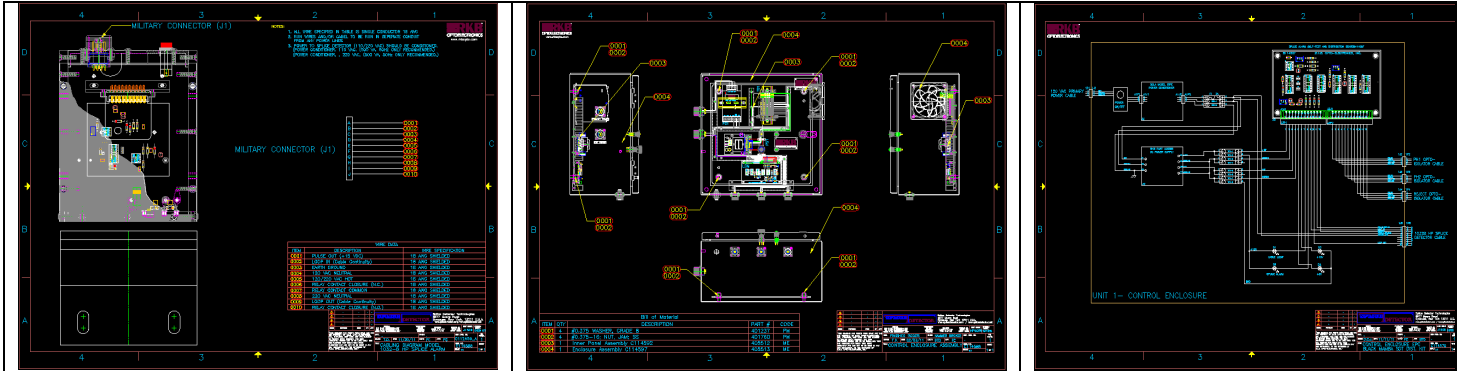
Equipment Pictorial

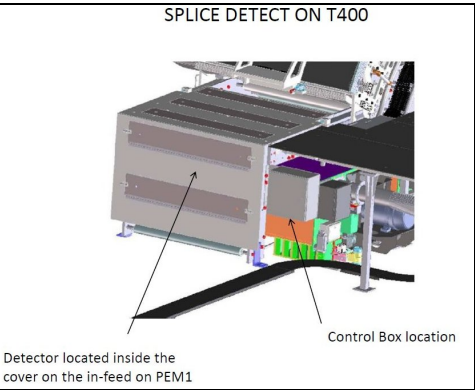
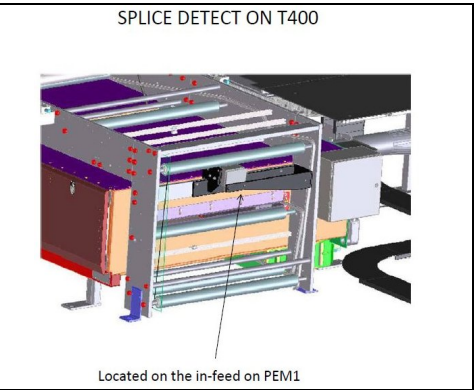
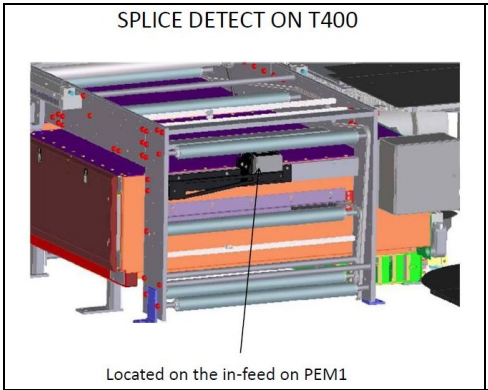
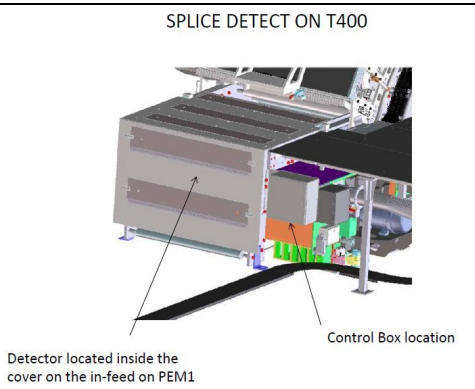
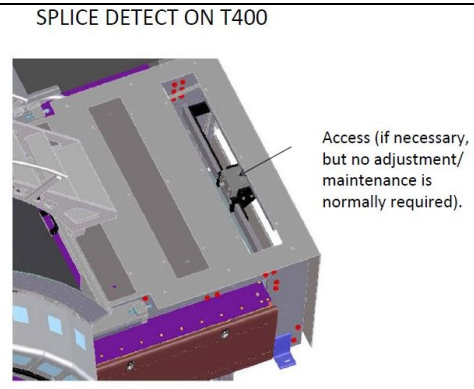
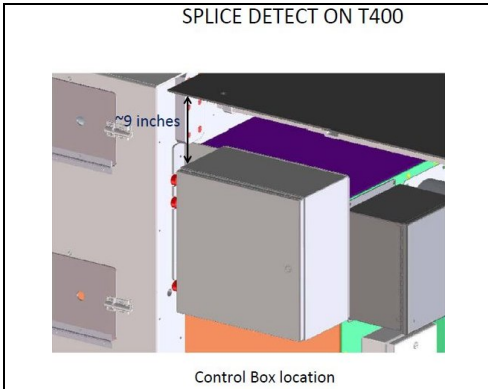
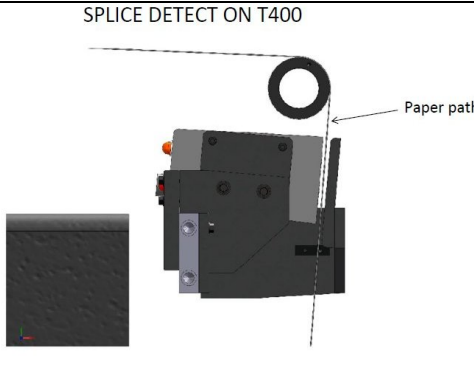
Model 1032B Black Mamba™

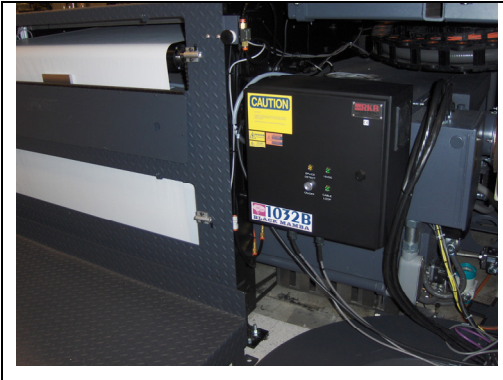


Splice (Joint) Technology - SJT Series

SPLICE DETECTOR







SPLICE DETECT ON T400



Control Box location

Detector located inside the cover on the in-feed on PEM1

